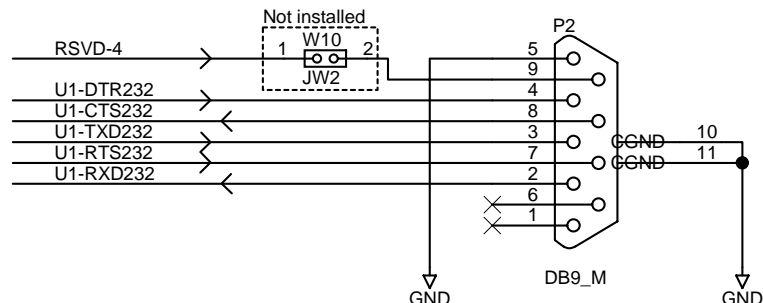
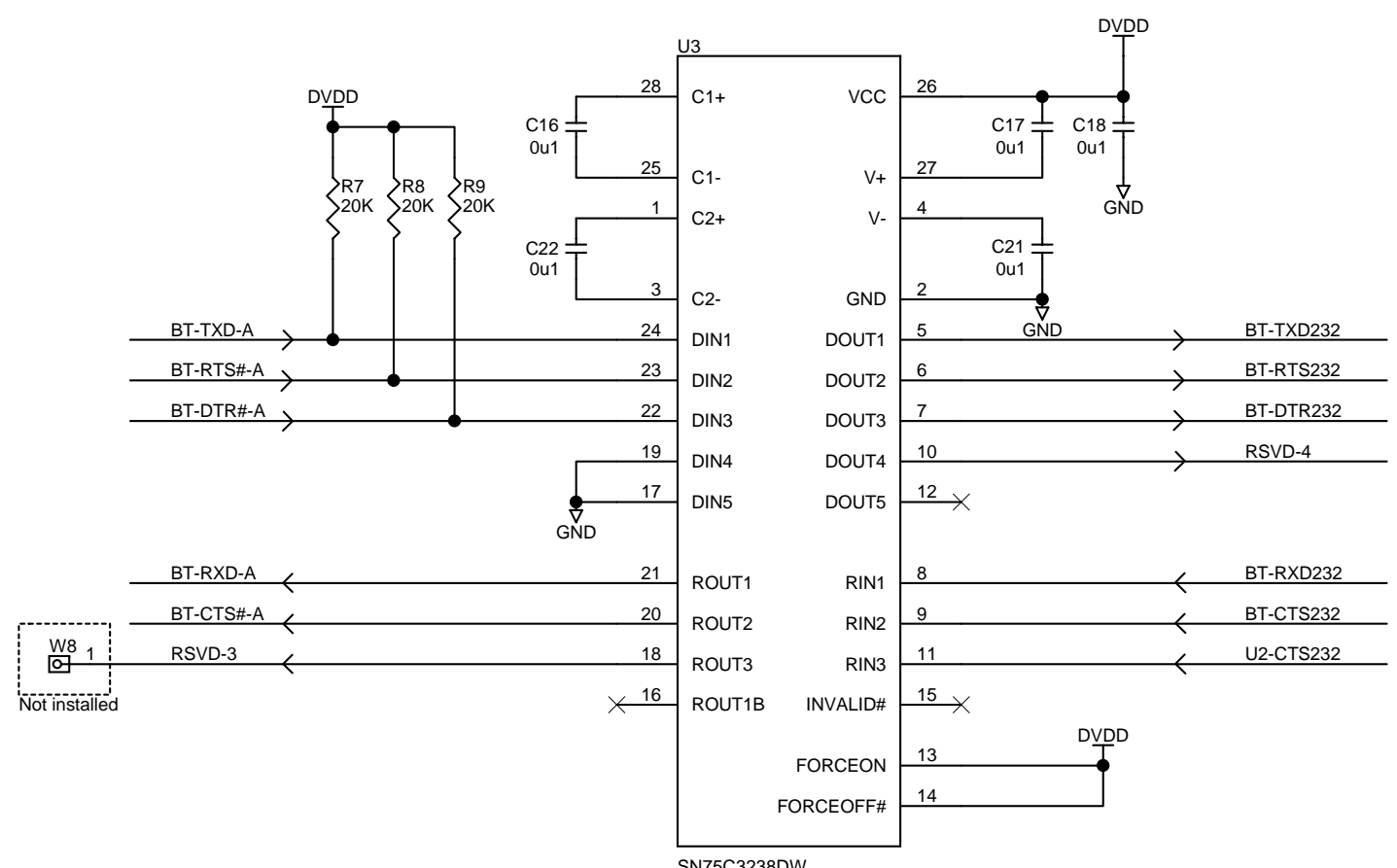
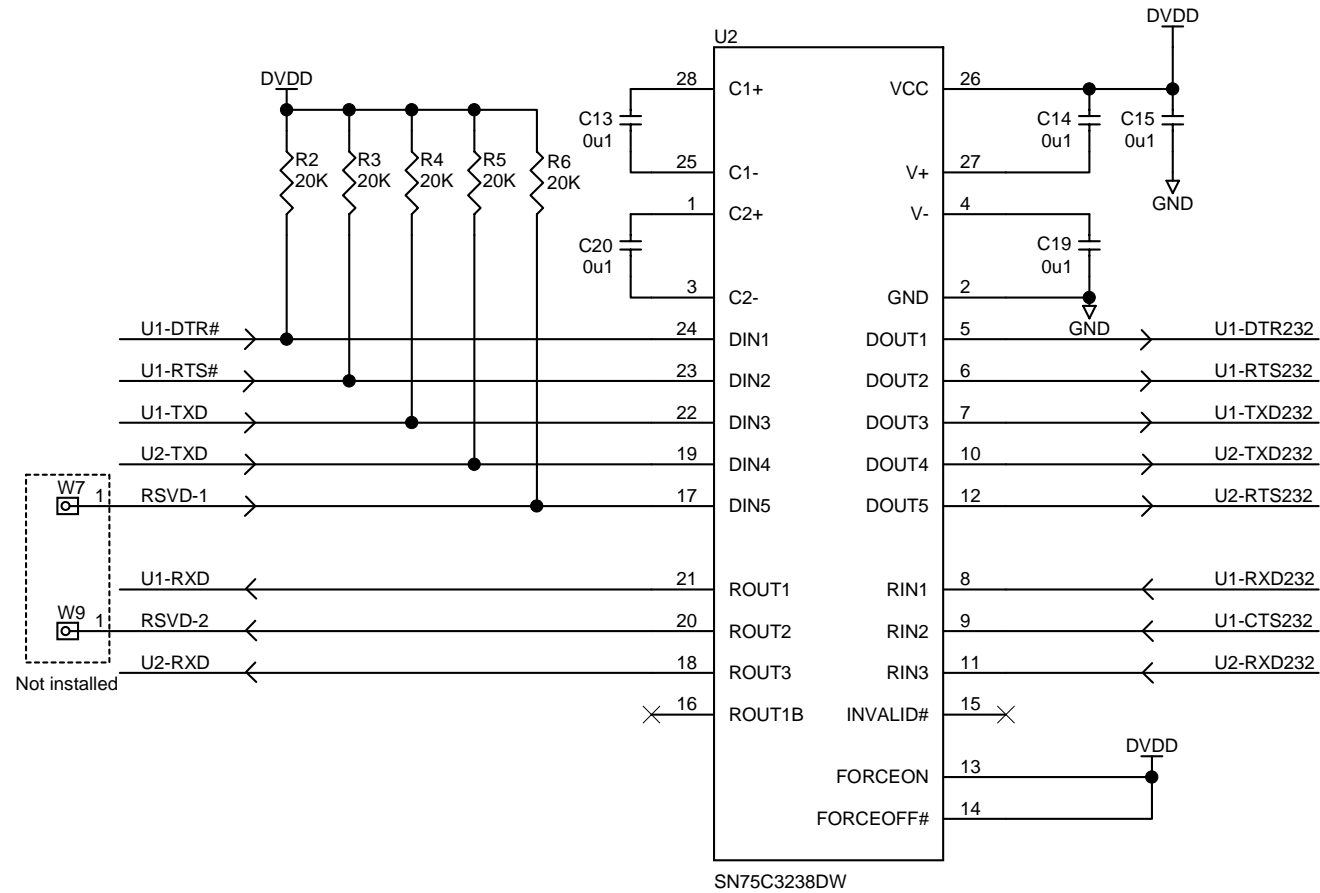
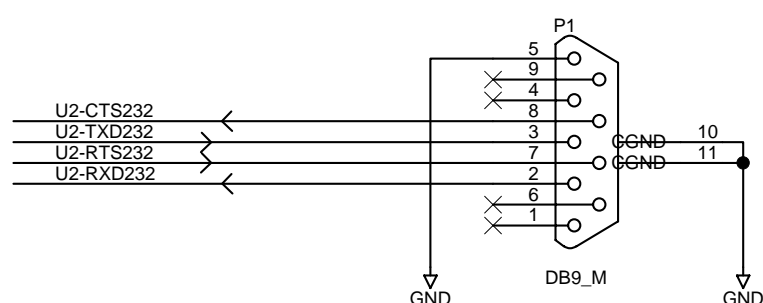


MSP430 MCU

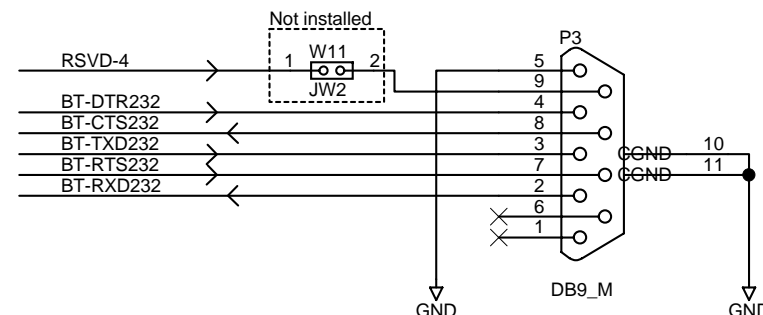
COMPANY NAME : (C) 2008 iFoundry Systems Singapore Pte Ltd	
Product Code : IFSYS-5651	Job Code : *
TITLE MSP430 BLUETOOTH DEVELOPMENT BOARD SHEET 1 OF 10	
DATE 12/22/2008	REVISION A1
DRAWN BY: DEREK YEO	
FILE: W:\RND\IN\IFSYS-5651 (MSP430 BLUETOOTH DEV BOARD) _VER_A1\TIMSP430F5438_A1_1.SchDoc	



For MSP430 to Oximeter



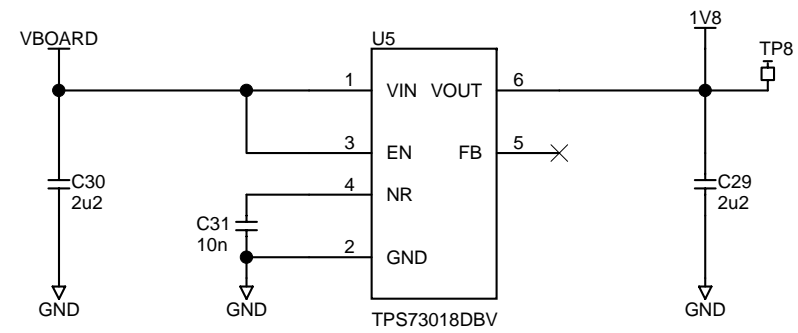
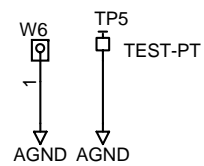
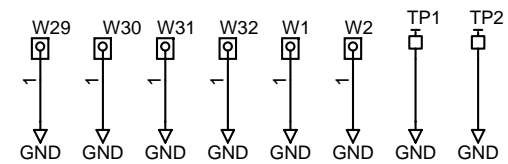
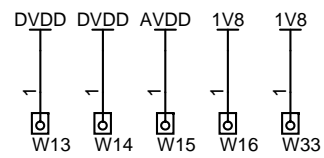
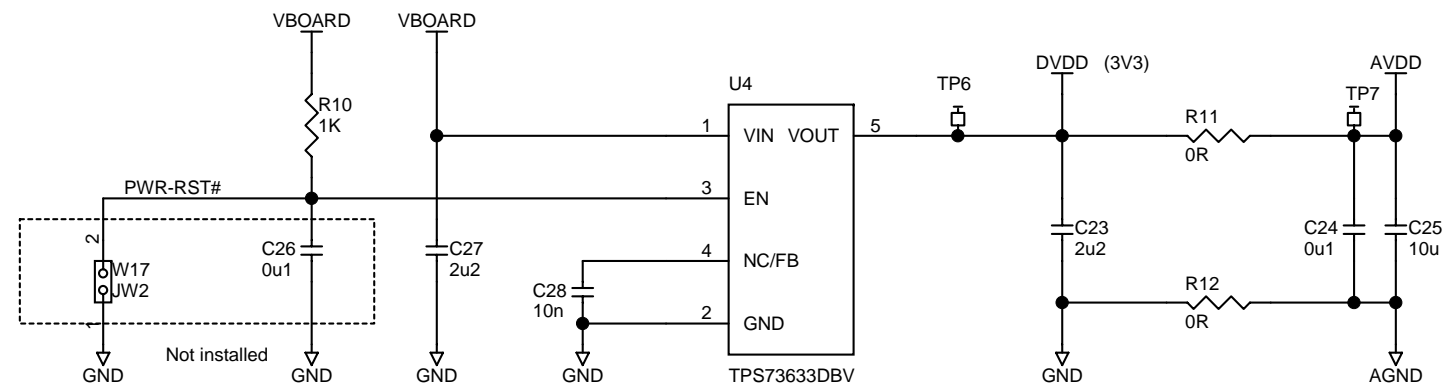
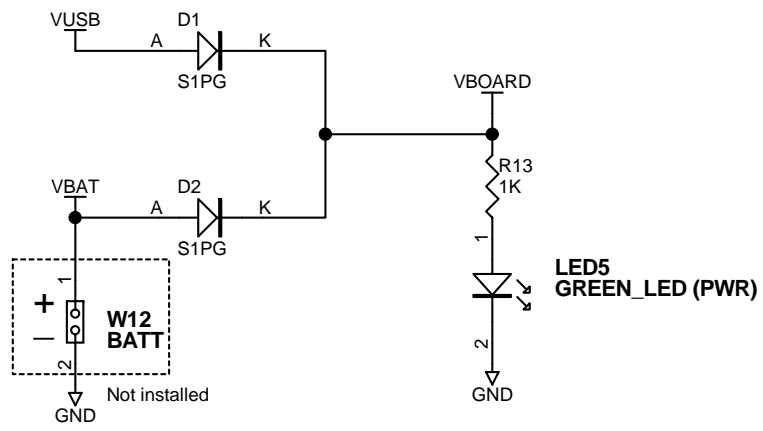
For MSP430 to External Bluetooth radio



For IFSYS-5043 to PC or Oximeter
(Set BT-EXT-UART-EN# to low)

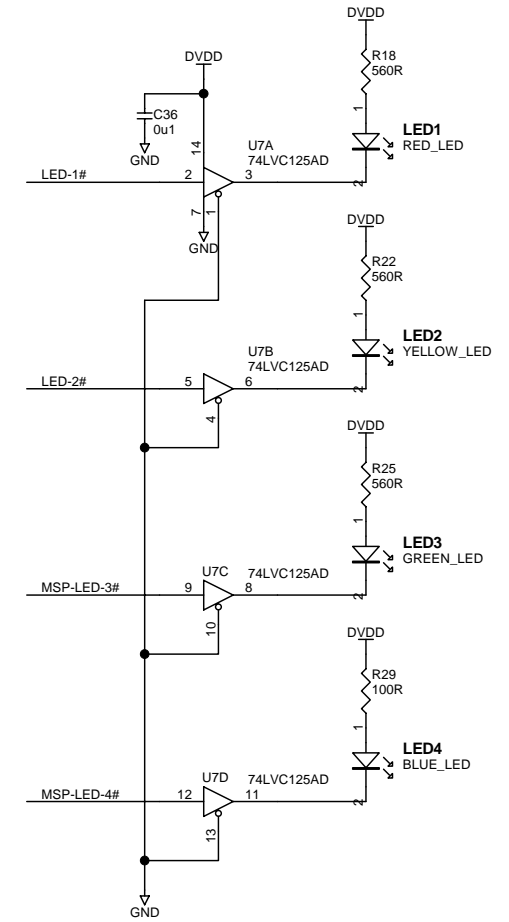
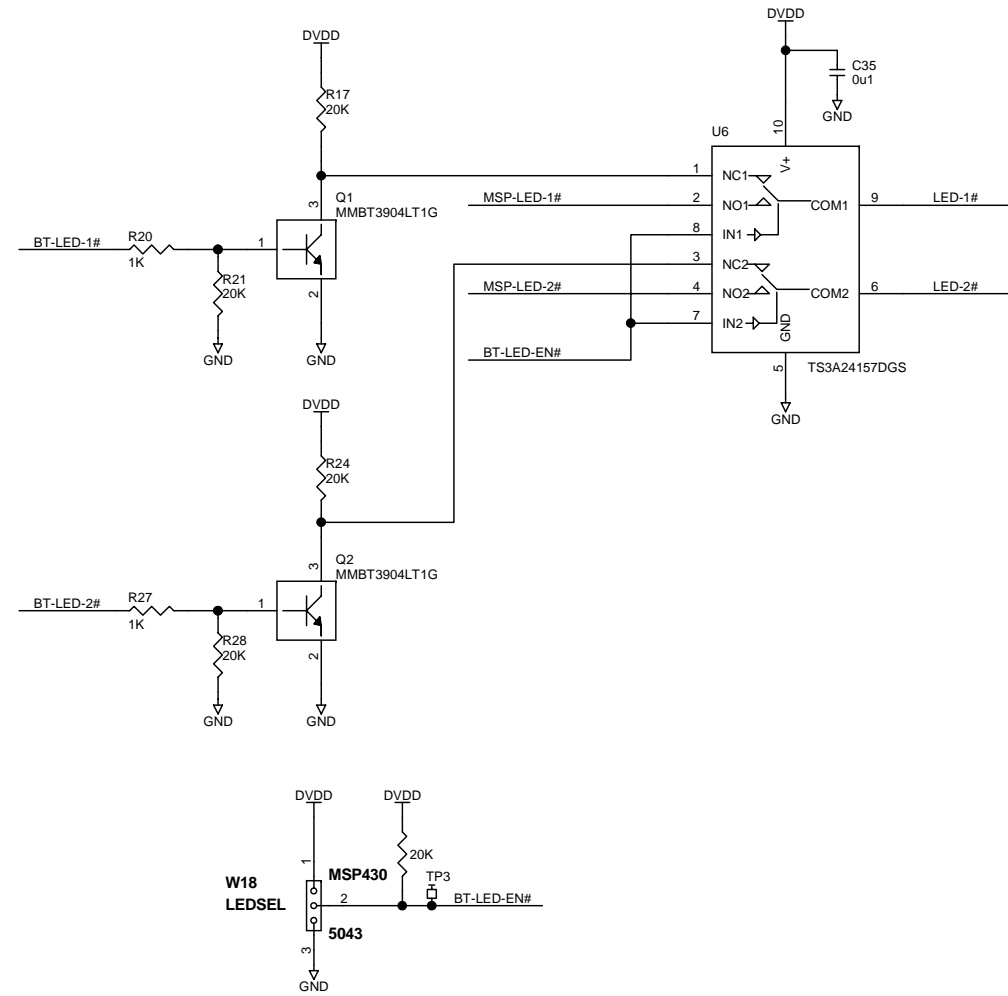
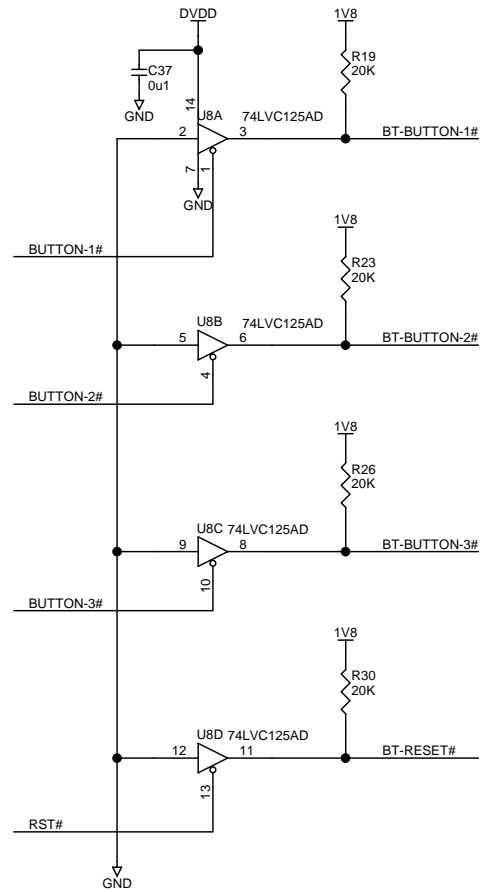
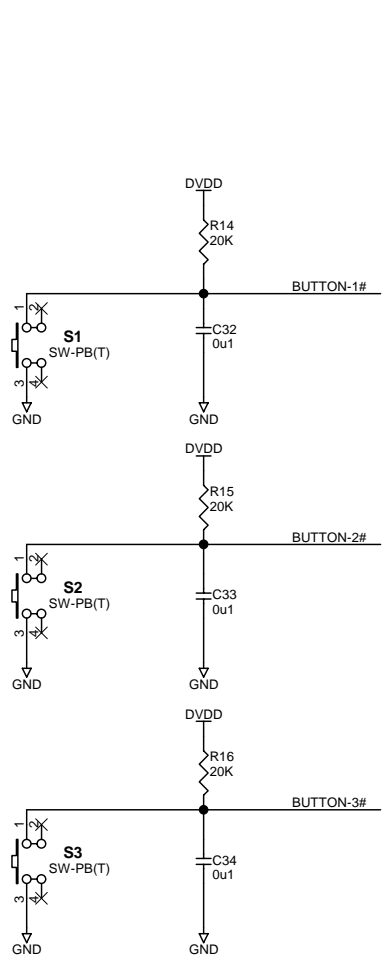
RS232 Level Shifters

COMPANY NAME : (C) 2008 iFoundry Systems Singapore Pte Ltd		
Product Code : IFSYS-5651		Job Code : *
TITLE	MSP430 BLUETOOTH DEVELOPMENT BOARD	SHEET 2 OF 10
DATE	12/22/2008	REVISION A1
		DRAWN BY: DEREK YEO
FILE: W:\RND\IN\IFSYS-5651 (MSP430 BLUETOOTH DEV BOARD)_VER_A1\TIMSP430F5348_A1		



POWER MANAGEMENT

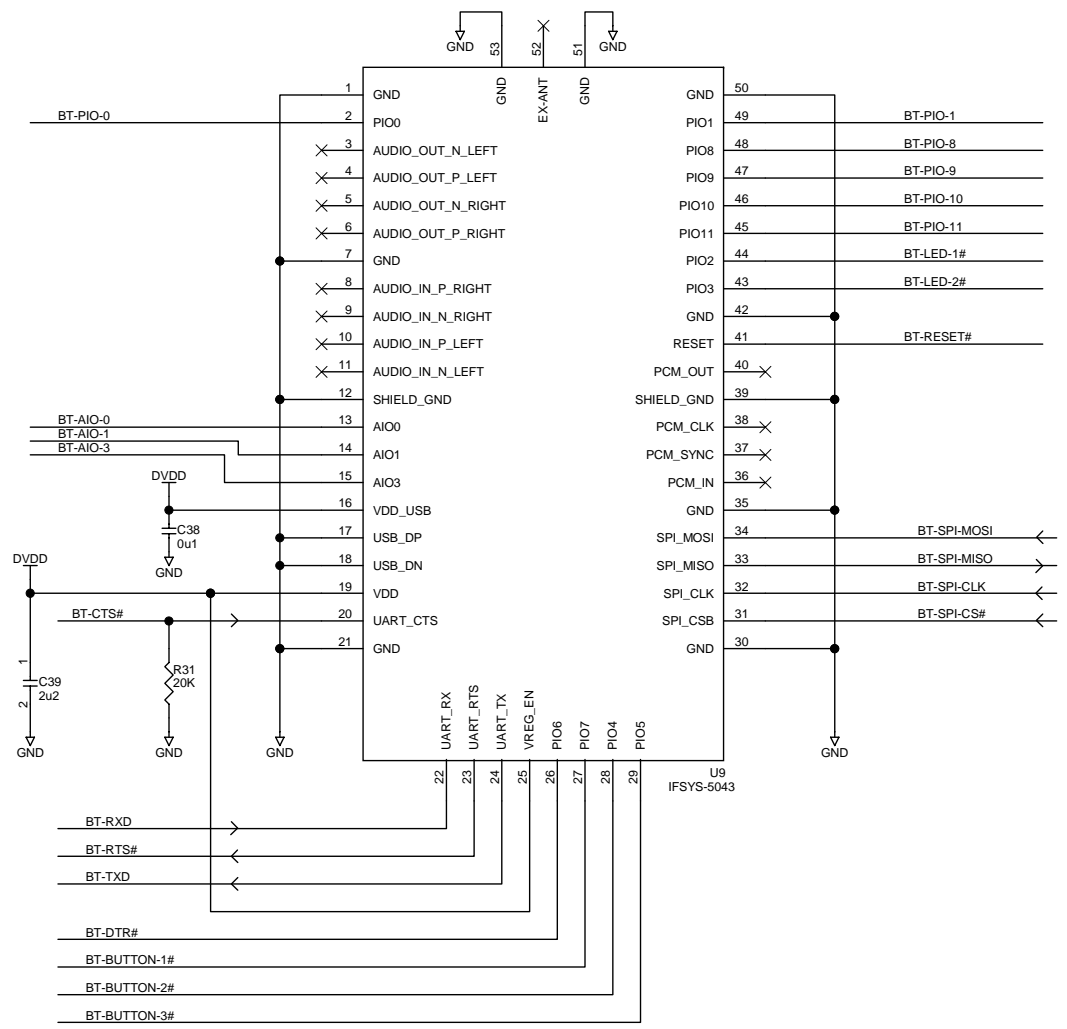
COMPANY NAME : (C) 2008 iFoundry Systems Singapore Pte Ltd		
Product Code : IFSYS-5651		Job Code : *
TITLE MSP430 BLUETOOTH DEVELOPMENT BOARD	SHEET 3 OF 10	
DATE 12/22/2008	REVISION A1	DRAWN BY: DEREK YEO
FILE: W:\RND\INIFSYS-5651 (MSP430 BLUETOOTH DEV BOARD)_VER_A1\TIMSP430F5348_A1		



LESEL CONFIGURATION	
INSTALL	DESCRIPTION
1-2	MSP430 controls LED 1 and LED 2
2-3	IFSYS-5043 controls LED1 and LED 2

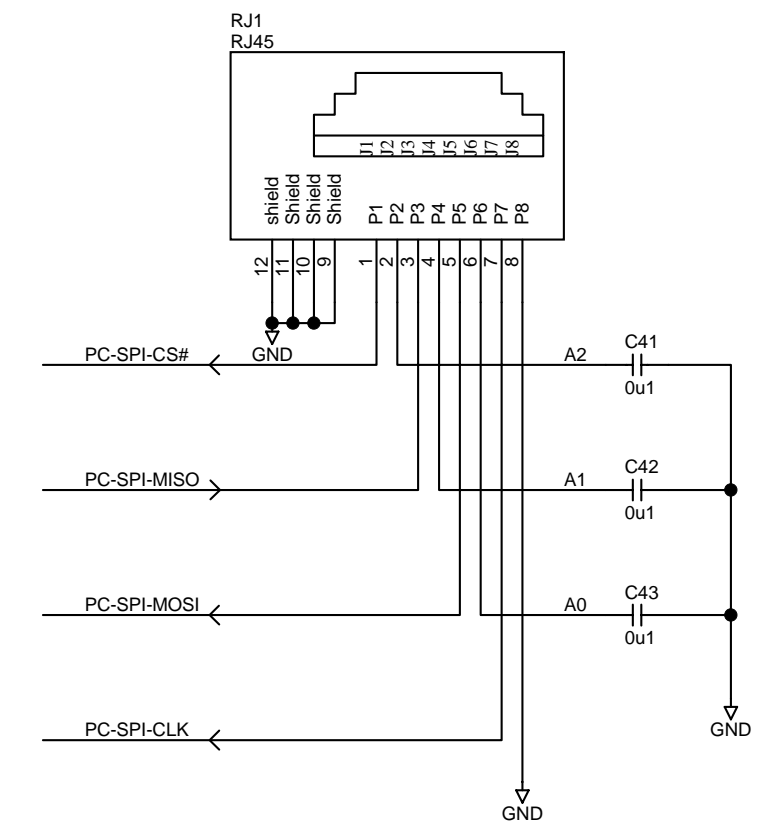
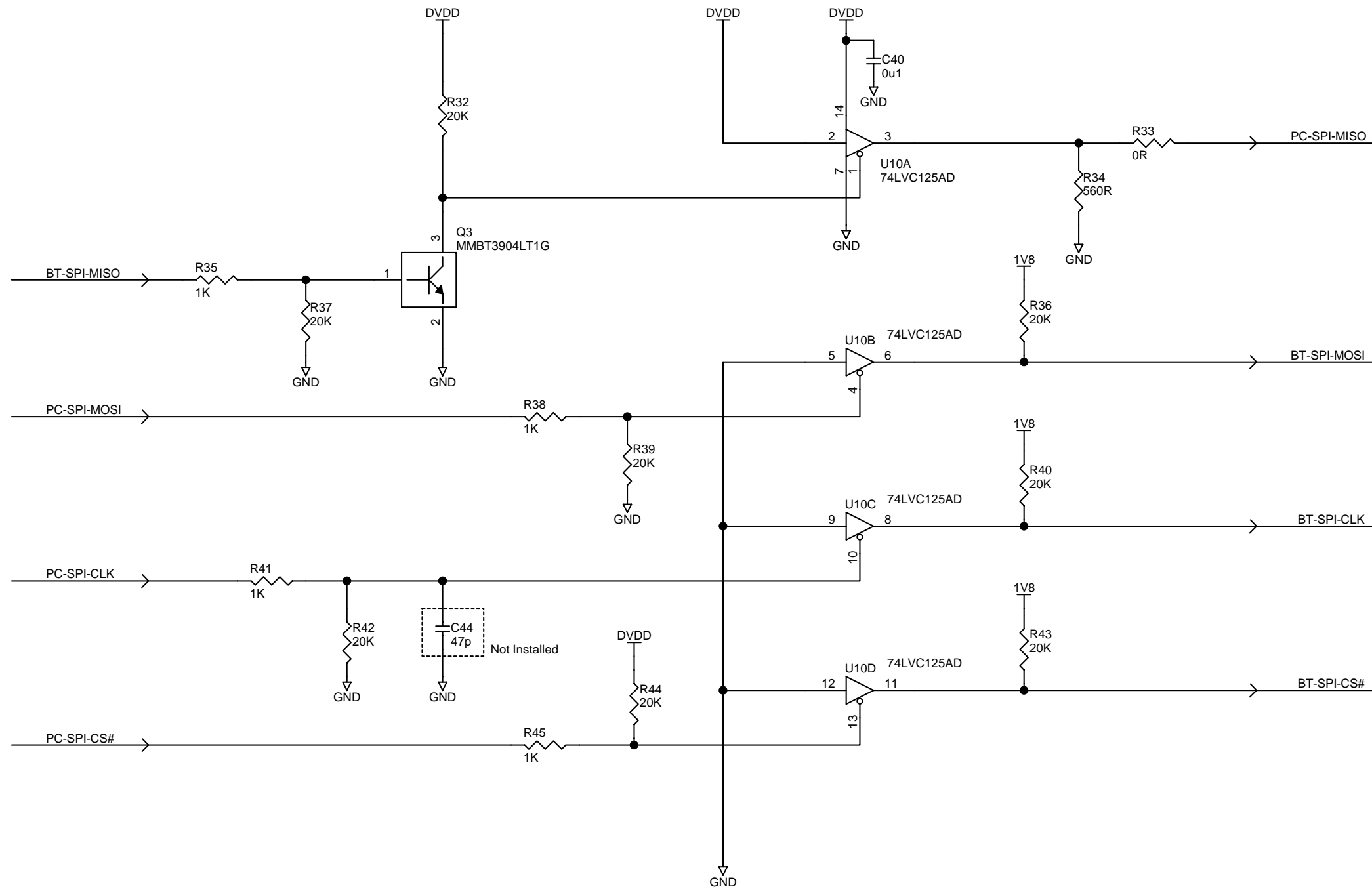
USER INTERFACE

COMPANY NAME : (C) 2008 iFoundry Systems Singapore Pte Ltd		
Product Code : IFSYS-5651	Job Code : *	
TITLE MSP430 BLUETOOTH DEVELOPMENT BOARD	SHEET 4 OF 10	
DATE 12/22/2008	REVISION A1	DRAWN BY: DEREK YEO
FILE: W:\RND\IFSYS-5651 (MSP430 BLUETOOTH DEV BOARD) _VER_A1\TIMSP430F5348_A1_4.SchDoc		



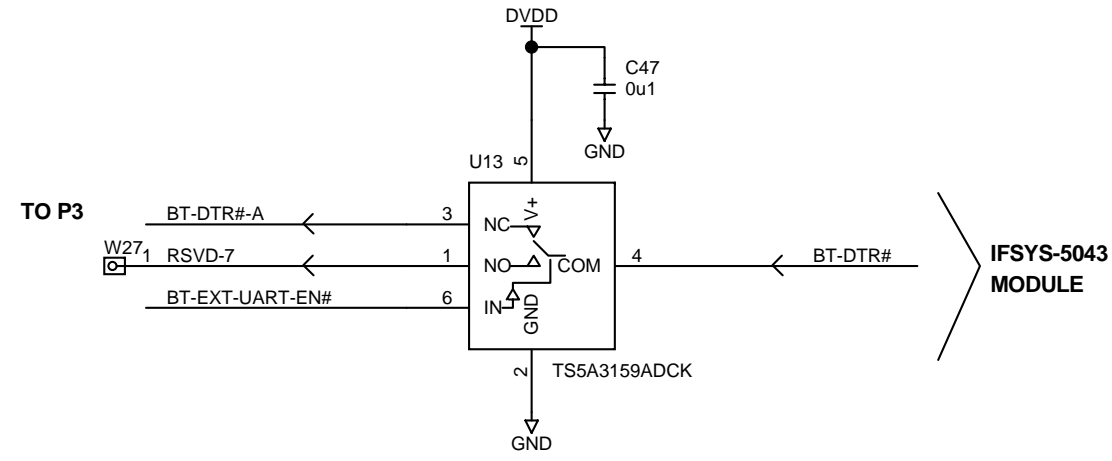
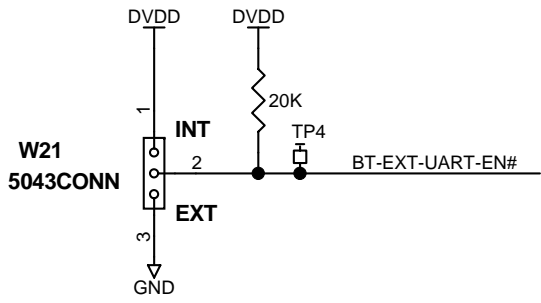
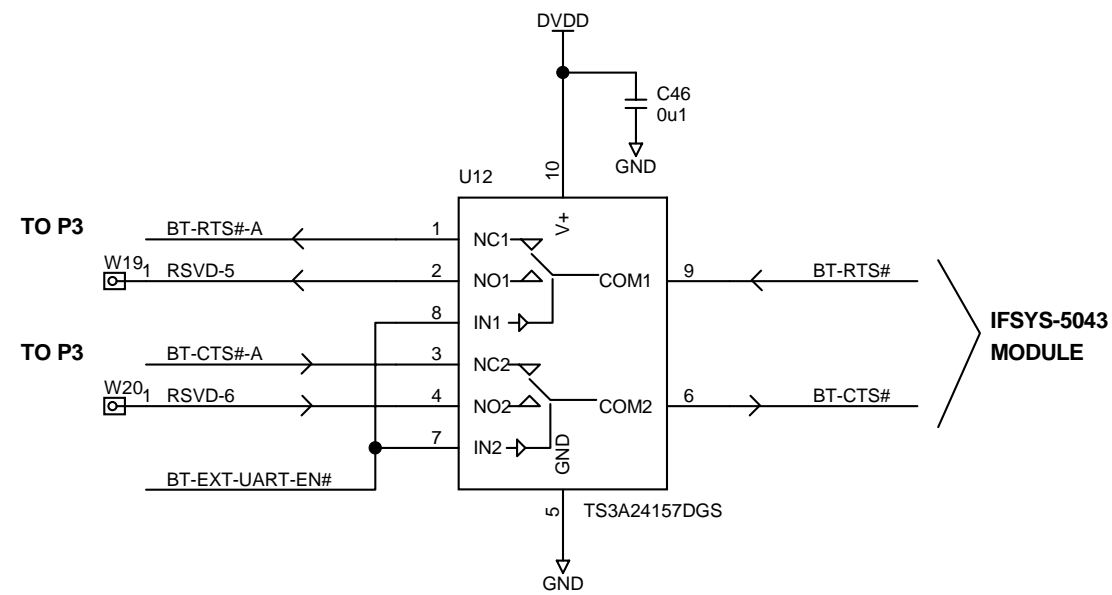
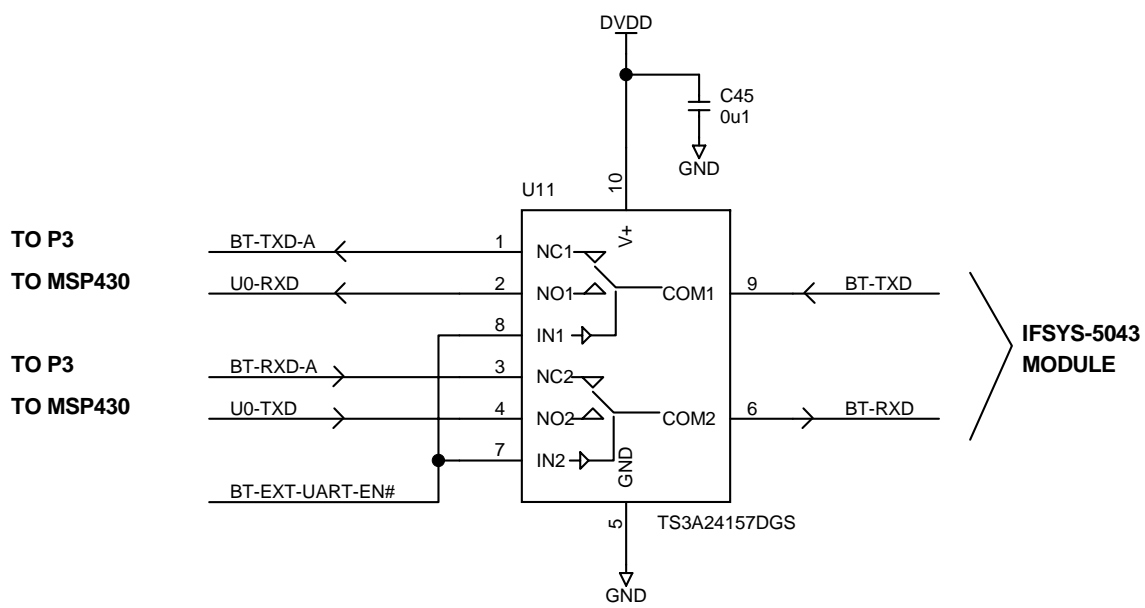
BLUETOOTH - IFSYS-5043

COMPANY NAME : (C) 2008 IFoundry Systems Singapore Pte Ltd		
Product Code : IFSYS-5651		Job Code : *
TITLE	MSP430 BLUETOOTH DEVELOPMENT BOARD	SHEET 5 OF 10
DATE	12/22/2008	REVISION A1
DRAWN BY: DEREK YEO		
FILE: W:\RND\UNIFSYS-5651 (MSP430 BLUETOOTH DEV BOARD)_VER_A1\btmod_pin_A1_5.Sch		



IFSYS-5043 DOWNLOAD PORT

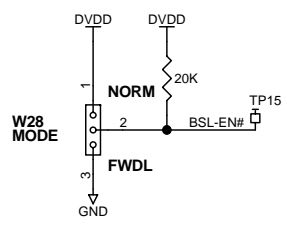
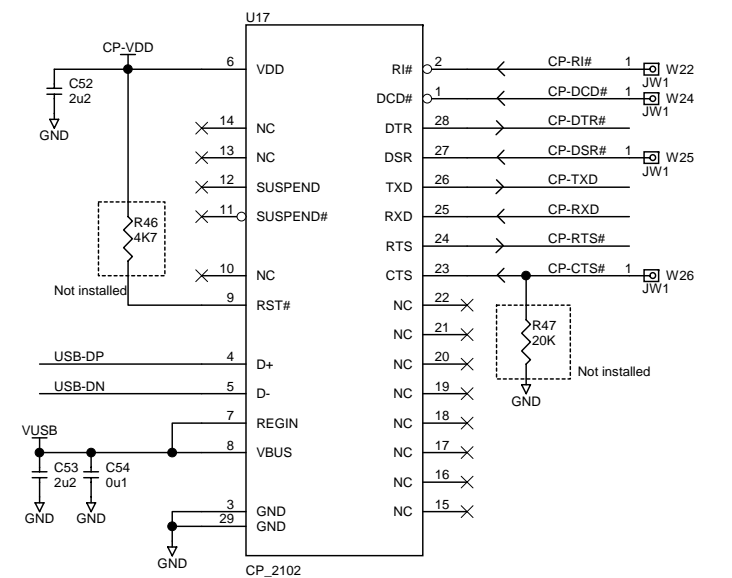
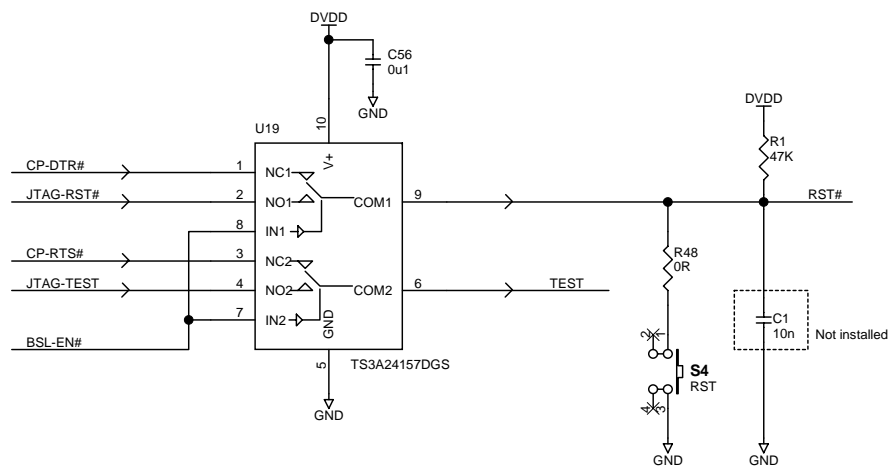
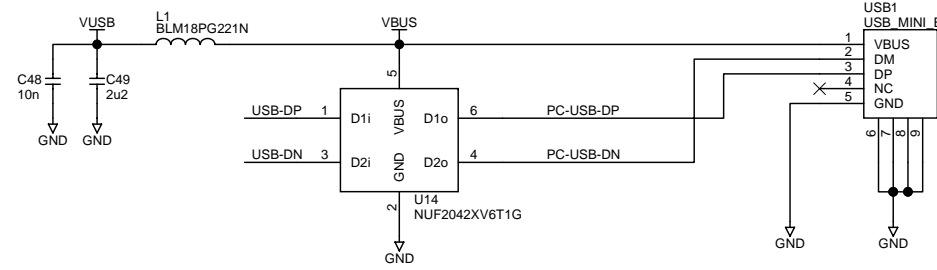
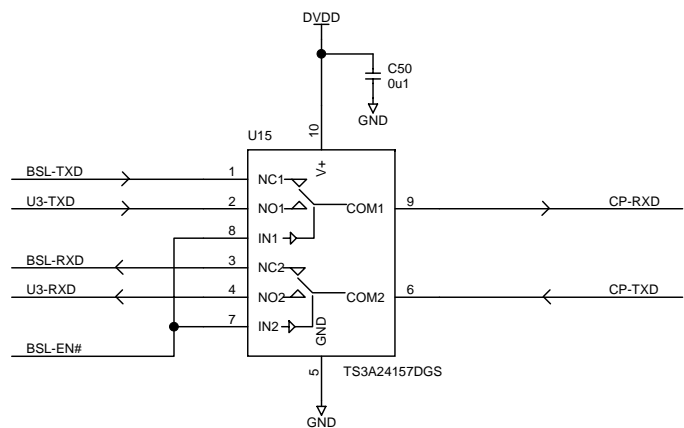
COMPANY NAME : (C) 2008 iFoundry Systems Singapore Pte Ltd			
Product Code : IFSYS-5651		Job Code : *	
TITLE MSP430 BLUETOOTH DEVELOPMENT BOARD		SHEET 6 OF 10	
DATE 12/22/2008	REVISION A1	DRAWN BY: DEREK YEO	
FILE: W:\RND\INIFSYS-5651 (MSP430 BLUETOOTH DEV BOARD)_VER_A1\TIMSP430F5348_A1			



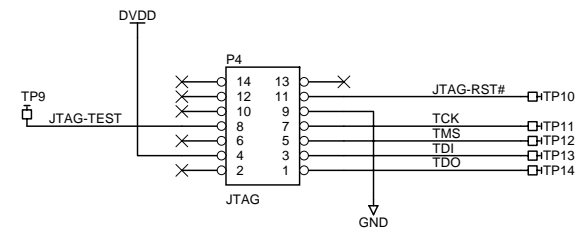
5043CONN CONFIGURATION	
INSTALL	DESCRIPTION
1-2	5043 UART is connected to MSP430 UART 0
2-3	5043 UART is connected to DB9 (P3)

IFSYS-5043 UART SELECT

COMPANY NAME : (C) 2008 iFoundry Systems Singapore Pte Ltd		
Product Code : IFSYS-5651		Job Code : *
TITLE	MSP430 BLUETOOTH DEVELOPMENT BOARD	SHEET 7 OF 10
DATE	12/22/2008	REVISION A1
		DRAWN BY: DEREK YEO
FILE: W:\RND\IFSYS-5651 (MSP430 BLUETOOTH DEV BOARD)_VER_A1\TIMSP430F5348_A1		

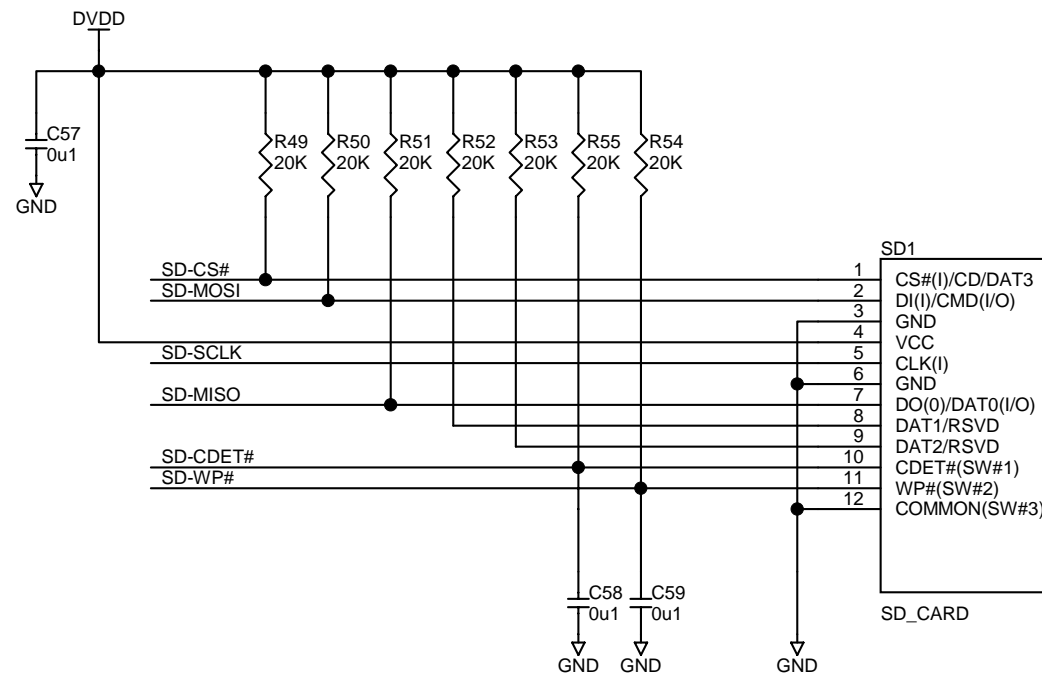


MODE JUMPER SETTING	
INSTALL	DESCRIPTION
NORM (1-2)	MSP430 UART 3 is connected to CP2102 MSP430 Reset and Test pins are connected to JTAG Connector
FWDL (2-3)	MSP430 BSL pins are connected to CP2102 MSP430 Reset and Test pins are connected to CP2102



BSL and JTAG

COMPANY NAME : (C) 2008 iFoundry Systems Singapore Pte Ltd		
Product Code : IFSYS-5651	Job Code : *	
TITLE MSP430 BLUETOOTH DEVELOPMENT BOARD	SHEET 8 OF 10	
DATE 12/22/2008	REVISION A1	DRAWN BY: DEREK YEO
FILE: W:\RND\IFSYS-5651 (MSP430 BLUETOOTH DEV BOARD) _VER_A1\TIMSP430F5348_A1.8.SchDoc		



SD CARD INTERFACE

COMPANY NAME : (C) 2008 iFoundry Systems Singapore Pte Ltd		
Product Code : IFSYS-5651		Job Code : *
TITLE	MSP430 BLUETOOTH DEVELOPMENT BOARD	SHEET 9 OF 10
DATE	12/22/2008	REVISION A1
		DRAWN BY: DEREK YEO
FILE: W:\RND\INIFSYS-5651 (MSP430 BLUETOOTH DEV BOARD)_VER_A1\TIMSP430F5348_A1		

1

2

3

4

5

6

A

A

B

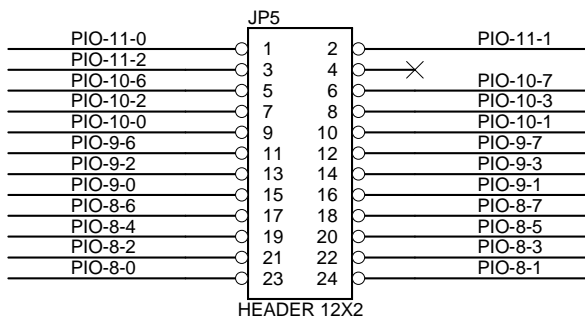
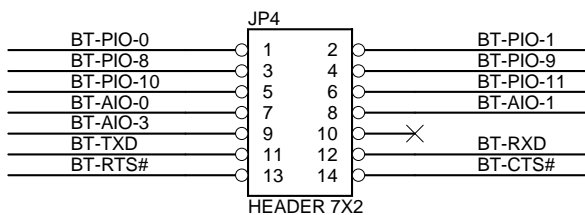
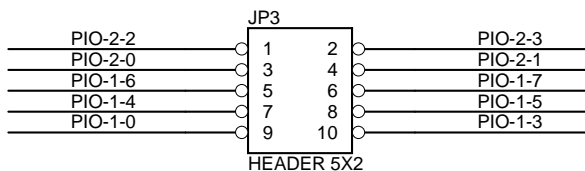
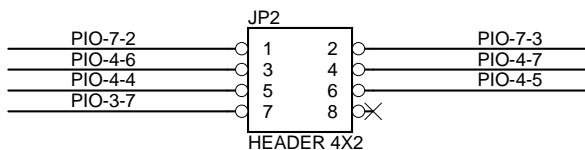
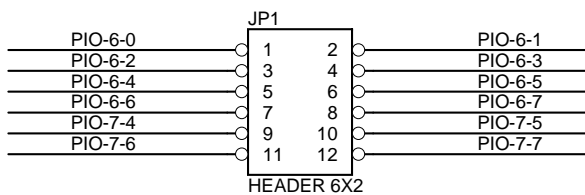
B

C

C

D

D



PIO HEADERS

COMPANY NAME : (C) 2008 iFoundry Systems Singapore Pte Ltd		
Product Code : IFSYS-5651		Job Code : *
TITLE	MSP430 BLUETOOTH DEVELOPMENT BOARD	SHEET 10 OF 10
DATE	12/22/2008	REVISION A1
DRAWN BY: DEREK YEO		
FILE: W:\RND\NIFSYS-5651 (MSP430 BLUETOOTH DEV BOARD)_VER_A1\TIMSP430F5348_A1		

1

2

3

4

5

6